

CH 1&2 AES/EBU Audio

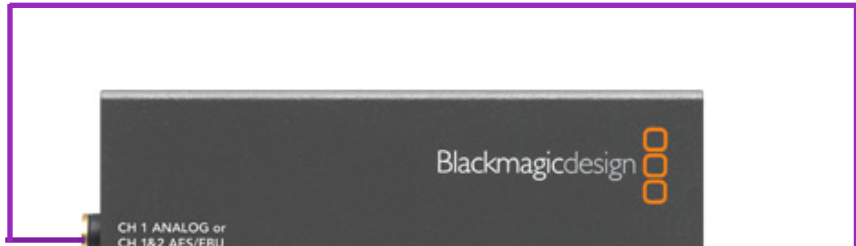
→ A/V from Live Source

→ Audio from Live Source

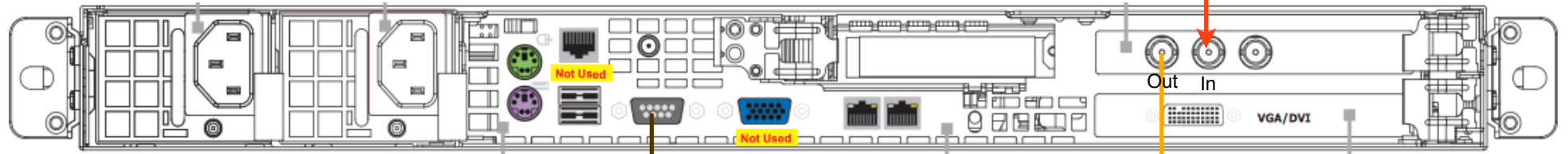
→ A/V from AirBox

→ AirBox Video w/ Live Audio

→ Final Switchable Output



Live Source



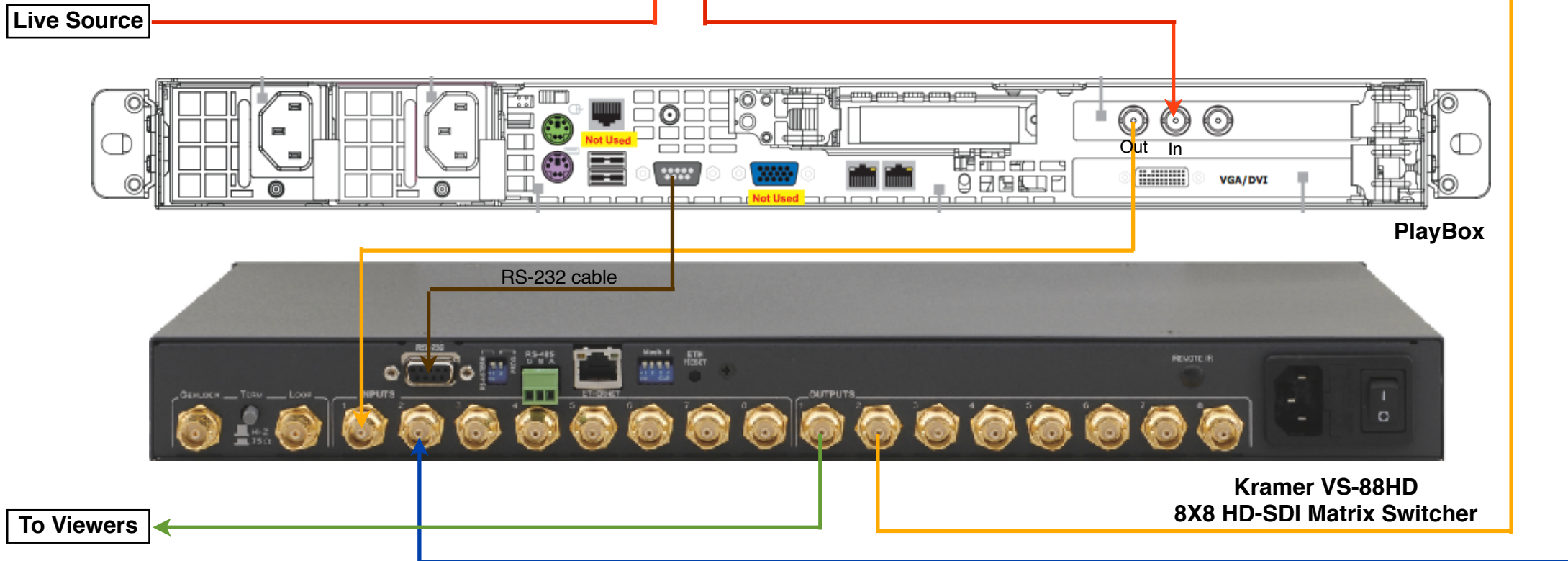
PlayBox

RS-232 cable

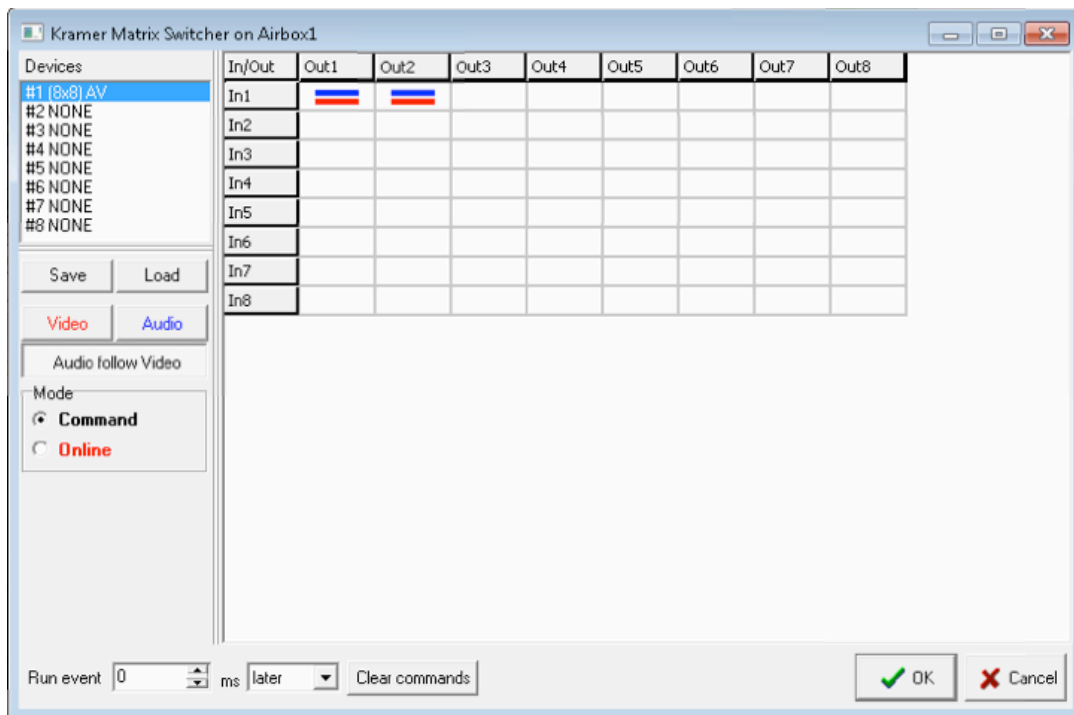


Kramer VS-88HD 8X8 HD-SDI Matrix Switcher

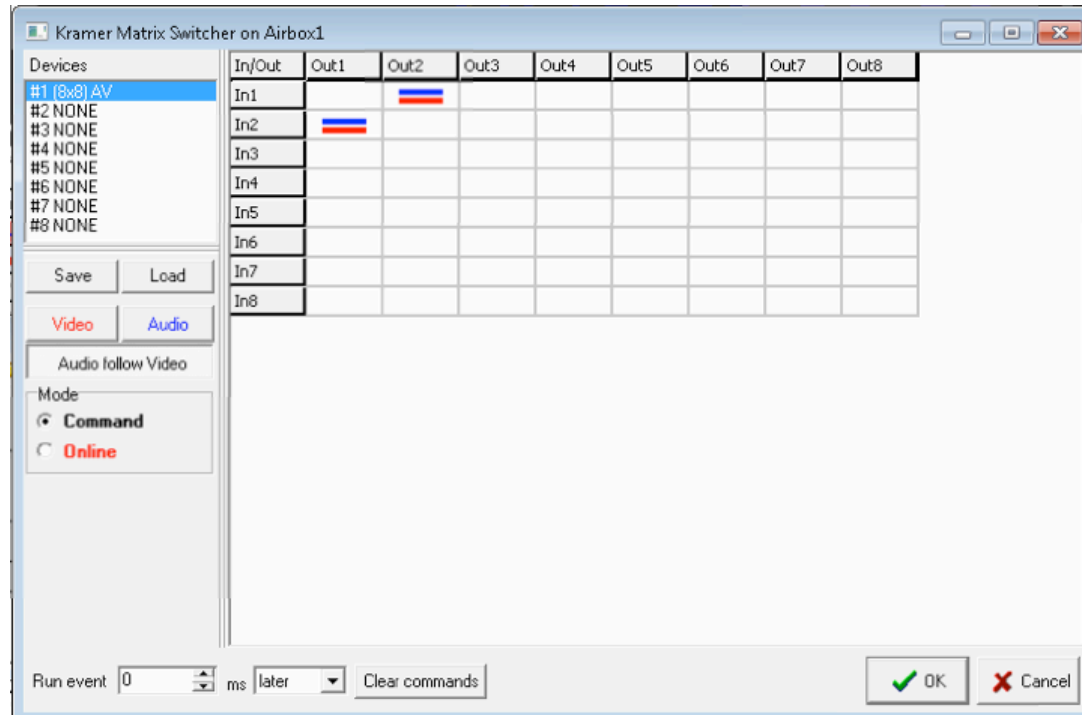
To Viewers



Kramer Matrix Switcher Output Module



Normal Play Out External Command
(AirBox Video & Audio)



Switched Play Out External Command
(AirBox Video with Live Audio)

Equipment Needed



1 - **BlackMagic SDI to Audio Mini Converter**



1 - **BlackMagic Audio to SDI Mini Converter**



1 - **Kramer VS-88HD 8X8 HD-SDI Matrix Switcher**

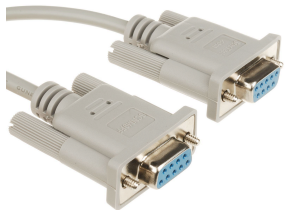
Cables Needed



1 - **TRS** Cable



6 - **SDI** Cables

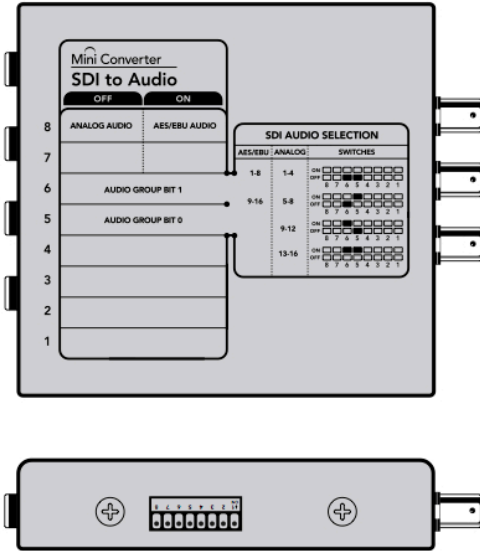


1 - **RS 232** Cable

Settings

SDI to Audio

Switch 8 - on
Switch 6 - off
Switch 5 - off



Change your converter's internal settings by adjusting the mini switches using the tip of a pen.

Mini Switches

Mini Converter SDI to Audio's mini switches provide the following settings:

Switch 8 - Analog Audio, AES/EBU Audio

Set switch 8 to OFF to select balanced analog audio, or to ON for digital AES/EBU audio output.

Switch 6 - Audio Group Bit 1

Switches 6 and 5 are grouped together to provide four ON/OFF combinations. This allows up to 4 quadruplets of analog audio channels, or 2 sets of 8 AES/EBU audio channels, to be de-embedded from your SDI input.

Audio Selection Tables

Analog Audio Channels	Switch 6	Switch 5	Switch Diagram
1 to 4	OFF	OFF	ON OFF 8 7 6 5 4 3 2 1
5 to 8	OFF	ON	ON OFF 8 7 6 5 4 3 2 1
9 to 12	ON	OFF	ON OFF 8 7 6 5 4 3 2 1
13 to 16	ON	ON	ON OFF 8 7 6 5 4 3 2 1

AES/EBU Channels	Switch 6	Switch 5	Switch Diagram
1 to 8	OFF	OFF	ON OFF 8 7 6 5 4 3 2 1
9 to 16	OFF	ON	ON OFF 8 7 6 5 4 3 2 1

Switch 5 - Audio Group Bit 0

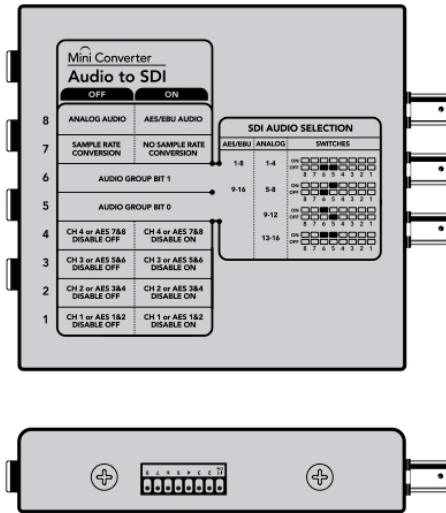
See switch 6 description.

Mini Switch Settings Example: Try experimenting with the mini switches. Select analog audio channels 1 to 4 by setting switches 8, 6 and 5 to the OFF position.

24 Mini Converter Audio to SDI

SDI to Audio

Switch 8 - on
Switch 7 - on
Switch 6 - off
Switch 5 - off



Change your converter's internal settings by adjusting the mini switches using the tip of a pen.

Mini Switches

Mini Converter Audio to SDI's mini switches provide the following settings:

Switch 8 - Analog Audio, AES/EBU Audio

Set switch 8 to OFF to select balanced analog audio, or to ON for digital AES/EBU audio input.

Switch 7 - Sample Rate Conversion, No Sample Rate Conversion

Set switch 7 to OFF to enable sample rate conversion, or ON to disable sample rate conversion. This switch should almost always be set to OFF to ensure audio is embedded at the correct sample rate for television.

When switch 7 is set to OFF this setting converts the sample rate of your analog or AES/EBU audio and embeds audio into the SDI output at a sample rate of 48 kHz. When switch 7 is set to ON, sample rate conversion is disabled and audio is output at the original sample rate of your input audio.

Switch 6 - Audio Group Bit 1

Switches 6 and 5 are grouped together to provide four ON/OFF combinations. Having four different combinations allows up to four analog audio channels, or eight AES/EBU audio channels to be embedded in your SDI output.

Audio Selection Tables

Analog Audio Channels	Switch 6	Switch 5	Switch Diagram
1 to 4	OFF	OFF	ON OFF <input type="checkbox"/> <input type="checkbox"/> <input type="checkbox"/> <input type="checkbox"/> <input type="checkbox"/> <input type="checkbox"/> <input type="checkbox"/> <input type="checkbox"/> 8 7 6 5 4 3 2 1
5 to 8	OFF	ON	ON OFF <input type="checkbox"/> <input type="checkbox"/> <input checked="" type="checkbox"/> <input checked="" type="checkbox"/> <input type="checkbox"/> <input type="checkbox"/> <input type="checkbox"/> <input type="checkbox"/> 8 7 6 5 4 3 2 1
9 to 12	ON	OFF	ON OFF <input checked="" type="checkbox"/> <input checked="" type="checkbox"/> <input type="checkbox"/> <input type="checkbox"/> <input type="checkbox"/> <input type="checkbox"/> <input type="checkbox"/> <input type="checkbox"/> 8 7 6 5 4 3 2 1
13 to 16	ON	ON	ON OFF <input checked="" type="checkbox"/> <input checked="" type="checkbox"/> <input checked="" type="checkbox"/> <input checked="" type="checkbox"/> <input type="checkbox"/> <input type="checkbox"/> <input type="checkbox"/> <input type="checkbox"/> 8 7 6 5 4 3 2 1
AES/EBU Channels	Switch 6	Switch 5	Switch Diagram
1 to 8	OFF	OFF	ON OFF <input type="checkbox"/> <input type="checkbox"/> <input type="checkbox"/> <input type="checkbox"/> <input type="checkbox"/> <input type="checkbox"/> <input type="checkbox"/> <input type="checkbox"/> 8 7 6 5 4 3 2 1
9 to 16	OFF	ON	ON OFF <input type="checkbox"/> <input type="checkbox"/> <input checked="" type="checkbox"/> <input checked="" type="checkbox"/> <input type="checkbox"/> <input type="checkbox"/> <input type="checkbox"/> <input type="checkbox"/> 8 7 6 5 4 3 2 1



Department: TV support

Full Name: Frank

Email: scoanvideos@gmail.com

Your Question: Hello, we want to use a Kramer Matrix Switcher and some BlackMagic converters to mix and match the PlayBox video with our Live feed's audio.

Staff: Plamen Cankov

20:53 **Your Question:** Hello, we want to use a Kramer Matrix Switcher and some BlackMagic converters to mix and match the PlayBox video with our Live feed's audio.

20:53 **Please wait, an operator will be with you shortly.**

20:53 **You are now chatting with Plamen Cankov - TV support**

20:53 **Plamen Cankov:** Hello!

Type to enter text

20:53 **Plamen Cankov:** May I have your WibuKey number so I can open your account please?

20:55 **Frank:** 10-10621563 version 4.2.2 build 1113

20:55 **Plamen Cankov:** Thank you

20:55 **Plamen Cankov:** Just a second please.

20:57 **Plamen Cankov:** Yes, basically if you have the Kramer switcher connected to the AirBox software you can simply route the inputs and outputs of the switches.

20:58 **Plamen Cankov:** Firstly, you need to activate the Kramer switcher output.

20:59 **Frank:** Okay, I have drawn up one diagram of how we planed it should work please take a look at it at this link <http://emmanuel.tv/images/playboxdiagram.pdf> and give us your input.

21:01 **Plamen Cankov:** Just a second please.

21:01 **Frank:** Okay

21:05 **Plamen Cankov:** You need to activate the Kramer switcher from the Settings -> Modules -> Remote control tab.

21:06 **Frank:** Yes, I am aware of that.

21:06 **Frank:** Did you see the diagram?

21:07 **Plamen Cankov:** Yes. Did you make any configurations already?

21:07 **Frank:** No this is just on paper. I wanted to confirm if it is correct before we get the hardware.

21:09 **Plamen Cankov:** The thing is that the Kramer hardware is not supported by us. We support only the communication between Kramer and AirBox, I am afraid.

21:10 **Plamen Cankov:** However, I can escalate this inquiry to our engineers for a second opinion if you wish.

21:10 **Plamen Cankov:** And tomorrow we will send you an email with the reply.

21:11 **Frank:** Okay, please help me to do that. They can send an email to scoanvideos@gmail.com

21:12 **Plamen Cankov:** I will do that.

21:12 **Plamen Cankov:** May I include the .pdf file in the escalation?

21:12 **Plamen Cankov:** I mean, can I use the URL to the file?

21:12 **Frank:** Yes

21:13 **Frank:** go ahead

21:13 **Frank:** Thank you, but you can a least confirm that the Kramer switcher will work with the PlayBox correct?

21:13 **Plamen Cankov:** I will make the escalation right away.

21:13 **Frank:** Okay thanks

21:14 **Plamen Cankov:** You are welcome!

Support Center: <https://support.playbox.tv/>

This is the conversation that we had with PlayBox. We when we showed them a copy of the diagram. Their engineers reviewed it and confirmed that the setup will work for what we are trying to do.



Department: TV support

Full Name: Frank

Email: scoanvideos@gmail.com

Your Question: Are there any engineers available to help us with ticket #RYJ-833-98467

Staff: Yavor Hristov

14:27 **Your Question:** Are there any engineers available to help us with ticket #RYJ-833-98467

14:27 **Please wait, an operator will be with you shortly.**

14:27 **You are now chatting with Yavor Hristov (Support Engineer) - TV support**

14:27 **Yavor Hristov:** Hello, how can we help you?

14:27 **Yavor Hristov:** Please give us a moment to check please

14:28 **Frank:** Thank you

14:30 **Yavor Hristov:** Attempting to transfer the chat to "Ivaylo Zhekov"

14:32 **Ivaylo Zhekov:** We can confirm that this Kramer Matrix switcher is fully supported, but in this configuration it is possible to have audio delay because of the processing (In→Out) of Live video signal in PlayBox server and in BlackMagic "Audio to SDI" embedder device. Please, provide us details about work flow which you need to implement so we can give you proper advice how to make it working in s

14:39 **Frank:** During our live transmissions we want to play a clip in the AirBox which will be used as a 'Please Standby' screen. We will show this clip any time we don't want our viewers to see something such as arranging camera's etc. What we are trying to accomplish is that we want our viewers to be hearing the audio from our live event while this 'Please Standby' screen is showing.

14:41 **Ivaylo Zhekov:** so you are not looking for synch between AirBox output video and Live audio?

14:47 **Frank:** While the 'Please Standby' screen is showing viewers will not be seeing the video of the live event so I am not sure how important the audio sync would be, but we would like a smooth transmission. When we switch back to the live event the audio and video must be in sync.

14:53 **Frank:** Is the delay of the input on the PlayBox adjustable?

15:01 **Ivaylo Zhekov:** so in AirBox you play some video file as "Please standby" - it is not some live signal going through AirBox as live event?

15:01 **Ivaylo Zhekov:** delay on AirBox input is not adjustable

15:04 **Frank:** Yes the video file for the "Please Standby" will be played from the AirBox playlist. The live event will also be in the playlist and we will be switching between the two.

15:05 **Ivaylo Zhekov:** ok, it is clear now - so there is only some frames delay during embedding or de-embedding. It looks fine

15:07 **Ivaylo Zhekov:** It will not have this big delay going through playout server - it just switching

15:07 **Ivaylo Zhekov:** Attempting to transfer the chat to "Yavor Hristov"

15:08 **Yavor Hristov:** Hi again

15:08 **Frank:** That sounds great! Thank you

Support Center: <https://support.playbox.tv/>